

TACT SWITCH

P/N:TSD05314-H



SPECIFICATIONS

Function: Momentary action
 Contact Arrangement: SPST, Normally Open
 Termination: SMD version

Mechanical

Actuation Force: 280±50grams
 Life Expectancy: 100K Operations

Electrical

Contact Rating: 50mA @ 12V DC
 Dielectric Strength: 250V AC for 1minute
 Contact Resistance: 100mΩ Max.
 Insulation Resistance: 100MΩ Min.
 Travel: 0.25±0.1mm

Environmental

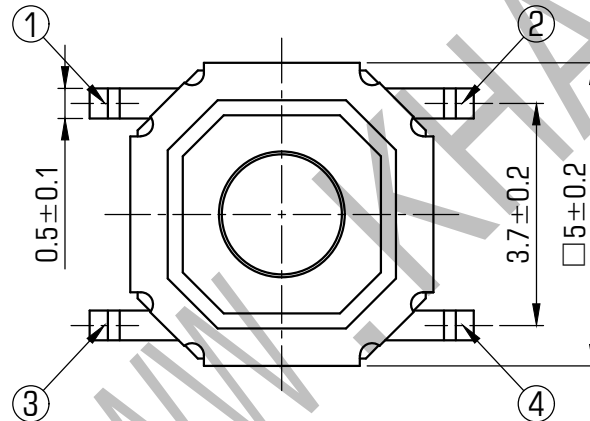
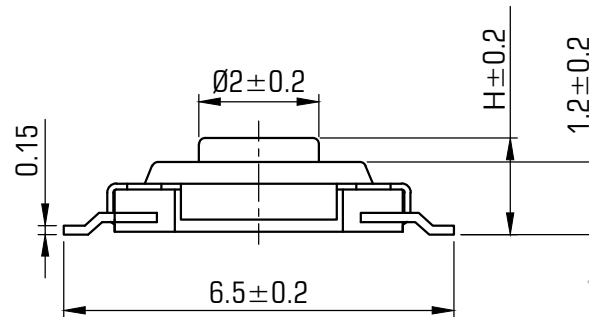
Operating Temperature: -25~+70°C
 Relative Humidity: (40°C) ≤95%

Materials

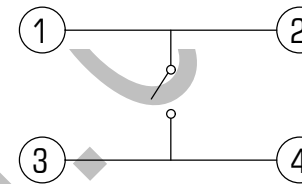
6.Cover: Stainless Steel
 5.Stem: Copper/White GP.PPA
 4.Waterproof membrane: PIF membrane
 3.Contact: Stainless Steel with Silver cladding
 2.Holder: Black GP.PPA
 1.Terminal: Copper with Silver Cladding

Packaging

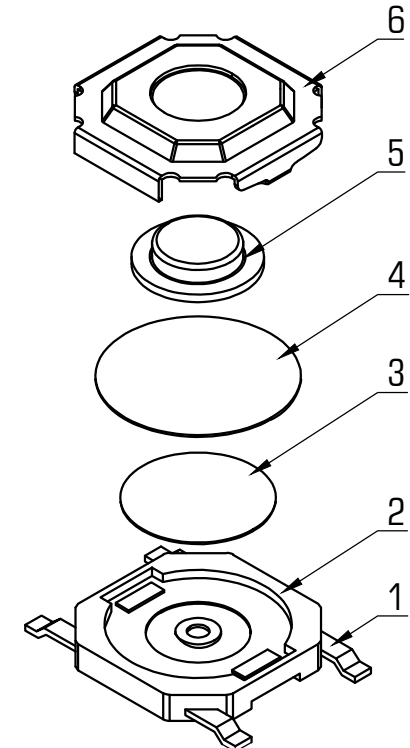
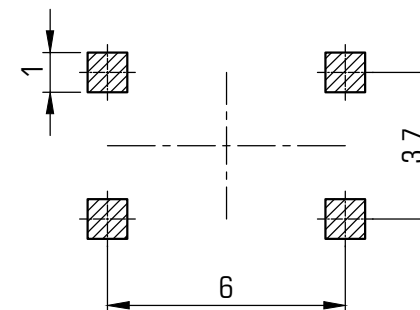
Bulk Package
 Inner Package: Plastic bag
 Outer Package: Carton



CIRCUIT DIAGRAM



P.C.B LAYOUT



H	1.5	1.6	1.7	1.9	2.0	2.5	3.0	3.5	4.0	4.3	4.5	5.0
---	-----	-----	-----	-----	-----	-----	-----	-----	-----	-----	-----	-----



KANGHONG ELECTRONIC

VERSION		PROJECTION	DESIGN	YUDA AO
KH14FE22E			DRAWN	ZHIJIE LU
SCALE	SIZE	 Dimensions are shown:mm(inches)	APPROVAL	JUNHUI XU
8:1	A4		2016.01.06	